



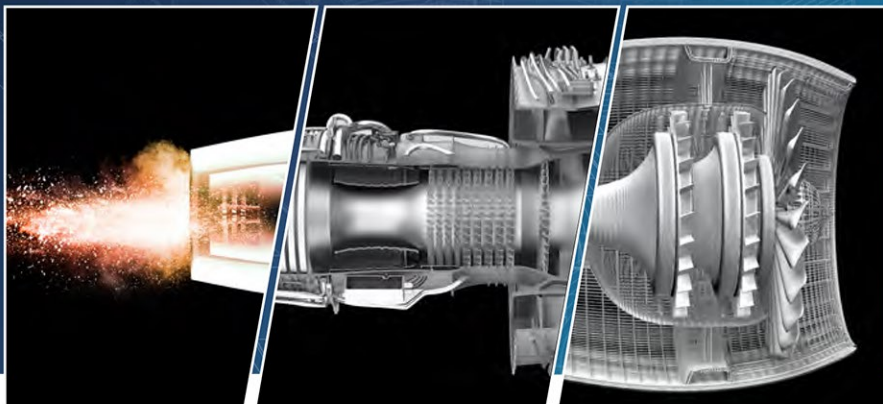
Daliff Precision Engineering
A little excellence goes a long way.



WE MAKE THE COMPONENTS

that are precision engineered
and delivered on time
and hidden from view

THAT MAKE YOUR ENGINES WORK



Does your outsourced manufacturing partner supply precision machined components on demand in order to improve your bottom line?

We do.

Not only do we physically deliver machined components that meet your technical specifications, we also manage the supply process, giving you both peace of mind and time to focus on your core business.

We understand what it takes to be successful in the aerospace, defence, energy and rail sectors – our track record of supplying both the local and global supply chains has given us insight into the value of:

- Guaranteed delivery date
- Quick industrialisation
- Short lead times
- Simplified supply chain management
- Reduced stock holding
- Replenishment based on consumption
- Stock financing option

Tel: +27 21 386 1851
Email : rowland@daliff.co.za
www.daliff.co.za

We support businesses that rely on regular large volume stock replenishment to support their assembly lines as well as those requiring quick industrialisation and prototyping, with short lead times and a flexible attitude to design changes, and look forward to discussing the design of a bespoke solution to meet your specific needs.

For more information,
please contact ROWLAND CHUTE
C: +27 82 461 8420

AS9100 Rev D / ISO 9001:2015 / BBBEE Level 2

MANUFACTURERS AND EXPORTERS